

For Residential and Commercial Applications

Job Name		Engineer / Architect	
Job Location		Wholesaler	
Submittal Date		Contractor	

OCR1912DL/OCR1920DL/OCR3912DL Copper Toilet Supply Kit - Multi-Turn Compression Angle Stop

Use: For use with water in accessible locations only. Not intended for recirculation systems/continuous use of temperatures above 115°F. For those applications, use our KT™ series ball stop supply kits.

Design Features:

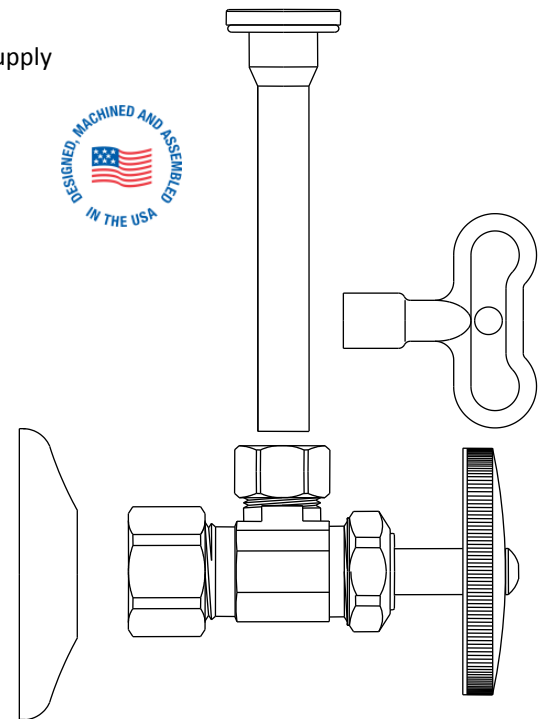
- **Everything you need.** These kits combine our trusted BrassCraft® supply stop, copper riser, and escutcheon for an easy-to-install connection

Copper riser provides:

- **One-piece** construction
- **Cut-to-length** for a clean, professional installation

Multi-Turn stop provides:

- **Machined one-piece brass body** provides strength, durability, and long-lasting performance
- **Knurled handle** provides a secure grip and smooth on/off operation
- **Easy-to-remove handle** helps protect against accidental stop operation during rough-ins
- **No Lead**



Operating Specifications:

Temperature: 40° - 140° F
Pressure: 125 PSI maximum

Tubing Diameter: 3/8" OD or 1/2" OD

CONNECTOR MATERIAL SPECIFICATIONS	
Tube	Copper or copper, chrome plated
Nosepiece	Rubber

Escutcheon	Stainless steel
-------------------	-----------------

Loose Key	Zinc, die cast
Loose Key Stem	Brass, chrome plated
Lock Shield	Brass, chrome plated

STOP MATERIAL SPECIFICATIONS	
Body	Brass or brass, chrome plated
Stem	POM; brass; or brass, chrome plated
Handle	Zinc, die cast plated; ABS, plated; or Polycarbonate
Handle Screw	Zinc-plated steel
Bib & Packing Washer	Rubber
Packing Nut	Brass or brass, chrome plated
Compression Sleeve	Brass
Compression Nuts	Brass or brass, chrome plated

This specification and all information contained herein is the confidential and exclusive property of Brasscraft Manufacturing Co., and shall not be disclosed to others without the written consent of Brasscraft Mfg. Co. This specification must be returned to Brasscraft Mfg. Co. if requested.



OCR1912DL/OCR1920DL/OCR3912DL Copper Toilet Supply Kit - Multi-Turn Compression Angle Stop

Part Listing:

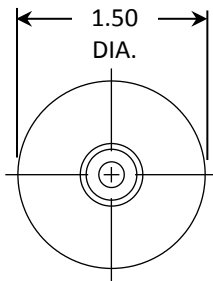
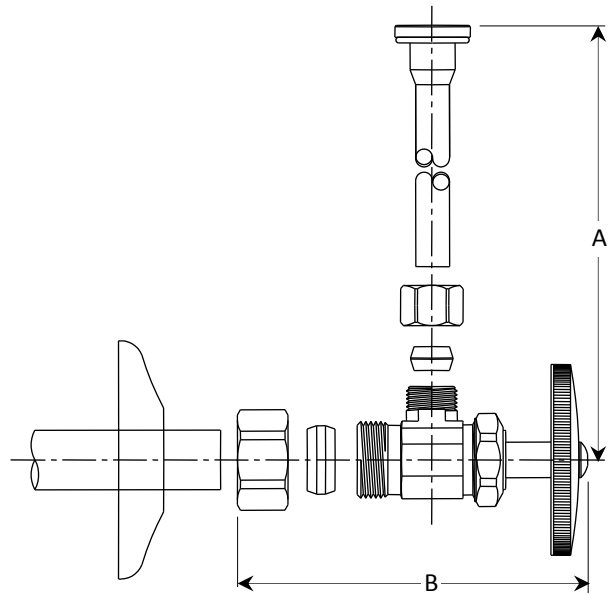
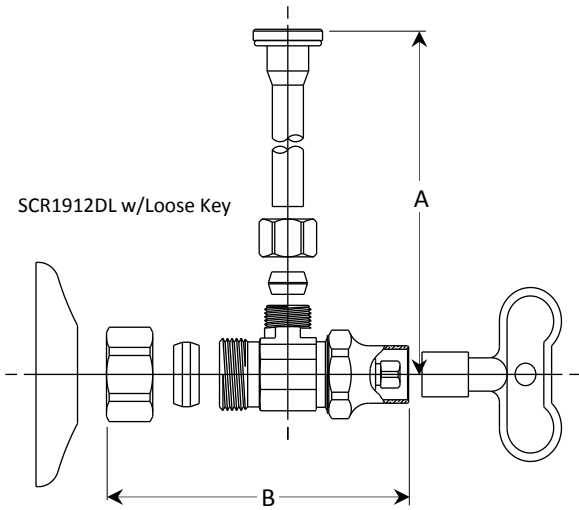
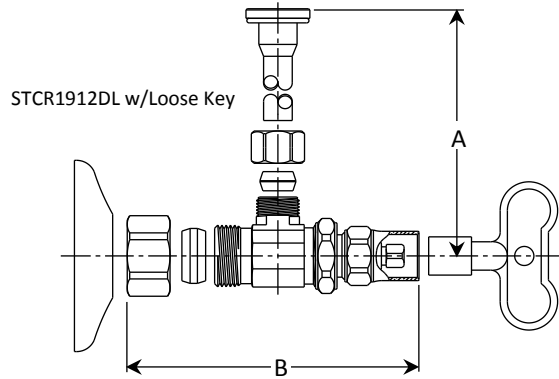
<input type="checkbox"/>	OCR1912EX C	1/2" nom compression x 3/8" OD compression stop with 3/8" OD tube x 11-1/2" length riser & shallow escutcheon, chrome plated
<input type="checkbox"/>	OCR1912DEX C	1/2" nom compression x 3/8" OD compression stop with 3/8" OD tube x 11-1/2" length riser & shallow escutcheon, chrome plated
<input type="checkbox"/>	OCR1912DLX C	1/2" nom compression x 3/8" OD compression stop with 3/8" OD tube x 11-1/2" length riser & shallow escutcheon, chrome plated
<input type="checkbox"/>	OCR1912DLX BZ	1/2" nom compression x 3/8" OD compression stop with 3/8" OD tube x 11-1/2" length riser & shallow escutcheon, oil rubbed bronze
<input type="checkbox"/>	OCR1912DLX NS	1/2" nom compression x 3/8" OD compression stop with 3/8" OD tube x 11-1/2" length riser & shallow escutcheon, satin nickel
<input type="checkbox"/>	OCR1912DLZX C	1/2" nom compression x 3/8" OD compression stop, brass stem with 3/8" OD tube x 11-1/2" length riser & shallow escutcheon, chrome plated
<input type="checkbox"/>	OCR1920DLX C	1/2" nom compression x 3/8" OD compression stop with 3/8" OD tube x 19-1/2" length riser & shallow escutcheon, chrome plated
<input type="checkbox"/>	OCR1920DLX BZ	1/2" nom compression x 3/8" OD compression stop with 3/8" OD tube x 19-1/2" length riser & shallow escutcheon, oil rubbed bronze
<input type="checkbox"/>	OCR1920DLX NS	1/2" nom compression x 3/8" OD compression stop with 3/8" OD tube x 19-1/2" length riser & shallow escutcheon, satin nickel
<input type="checkbox"/>	OCR3912DLX C	1/2" nom compression x 1/2" OD compression stop with 1/2" OD tube x 11-1/2" length riser & shallow escutcheon, chrome plated
<input type="checkbox"/>	SCR1912DLX C	1/2" nom compression x 3/8" OD compression stop with 3/8" OD tube x 11-1/2" length riser & shallow escutcheon, chrome plated, loose key
<input type="checkbox"/>	SCR1912DEX C	1/2" nom compression x 3/8" OD compression stop with 3/8" OD tube x 11-1/2" length riser & shallow escutcheon, chrome plated, loose key
<input type="checkbox"/>	SSCR1912DLX C	1/2" nom compression x 3/8" OD compression stop with 3/8" OD tube x 11-1/2" length riser & shallow escutcheon, chrome plated, loose key, screwdriver slot
<input type="checkbox"/>	STCR1912DLX C	1/2" nom compression x 3/8" OD compression stop with 3/8" OD tube x 11-1/2" length riser & shallow escutcheon, chrome plated, loose key, stuffing box, lock shield
<input type="checkbox"/>	XCR1920DLX BZ	1/2" nom compression x 3/8" OD compression stop with 3/8" OD tube x 11-1/2" length riser & shallow escutcheon, chrome plated, loose key, stuffing box, lock shield
<input type="checkbox"/>	XCR1920DLX NS	1/2" nom compression x 3/8" OD compression stop with 3/8" OD tube x 11-1/2" length riser & shallow escutcheon, chrome plated, cross handle
<input type="checkbox"/>	XXCR1912DLZX C	1/2" nom compression x 3/8" OD compression stop, brass stem with 3/8" OD tube x 11-1/2" length riser & shallow escutcheon, chrome plated, with round handle

This specification and all information contained herein is the confidential and exclusive property of Brasscraft Manufacturing Co., and shall not be disclosed to others without the written consent of Brasscraft Mfg. Co. This specification must be returned to Brasscraft Mfg. Co. if requested.

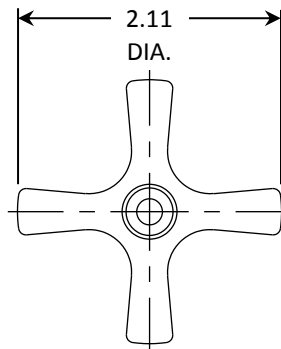
BrassCraft®

OCR1912DL/OCR1920DL/OCR3912DL Copper Toilet Supply Kit - Multi-Turn Compression Angle Stop

PART DIMENSIONS (Inches)		
Model	DIM. A	DIM. B
OCR1912DLX /DLZX	11.92	2.75
OCR1920DL X	19.92	2.75
OCR3912DLX	11.92	2.84
SCR1912DLX	11.92	2.64
STCR1912DLX	11.92	3.03
XCR1920DLX	19.92	2.75
XXCR1912DLZX	11.92	2.75



Round Handle



Cross-Handle

Listings & Certifications:

- IAPMO listed to ASME A112.18.1 and CSA B125.1 (File # 0645)
- CSA listed to ASME A112.18.1 and CSA B125.1 (File #204593)
- No-lead product CSA listed to NSF 372 (Class 6853-01)



This specification and all information contained herein is the confidential and exclusive property of Brasscraft Manufacturing Co., and shall not be disclosed to others without the written consent of Brasscraft Mfg. Co. This specification must be returned to Brasscraft Mfg. Co. if requested.

